

ES SERIES

ELECTRIC SCISSOR LIFTS



Performance

Platform Height—Elevated	
1930ES	5.72 m
2032ES	6.10 m
2632ES	7.77 m
2646ES	7.92 m
3246ES	9.68 m
Platform Capacity	
1930ES	230 kg
2032ES	360 kg
2632ES	230/360 kg
2646ES	450 kg
3246ES	320/450 kg
Capacity on Platform Extension	120 kg
Lift/Lower Time	
1930ES	26/30 seconds
2032ES	28/40 seconds
2632ES	33/37 seconds
2646ES	41/50 seconds
3246ES	55/62 seconds
Maximum Drive Height	Fully Elevated
Weight*	
1930ES	1,575 kg
2032ES	2,000 kg
2632ES	2,145 kg
2646ES	2,765 kg
3246ES	2,940 kg
Drive Speed—Elevated	0.8 km/h
Drive Speed—Lowered	
1930ES	4.82 km/h
2032ES/ 2632ES	4.43 km/h
2646ES/ 3246ES	4.00 km/h
Gradeability	25%
Turning Radius (Inside)	Zero
Turning Radius (Outside)	
1930ES	1.75 m
2032ES/ 2632ES	2.06 m
2646ES/ 3246ES	2.41 m

* Certain options or country standards will increase weight.

Standard Specifications

Power Source

Batteries	4x6V 220 amp-hr	
Charger	20 Amp Automatic	
Drive	24V Electric	8hp

Hydraulic Reservoir

• Capacity	
1930ES/2032ES/2632ES	4.73 L
2646ES/3246ES	6.4 L
• Pump	Fixed Displacement Gear

Tyres

• Tyre Size/Type	
1930ES	12.5 x 4 in. Non-Marking Solid
2032ES/2632ES/2646ES/3246ES	16 x 5 in. Non-Marking Solid

Brakes

- Electric/Friction



Standard Features

- Proportional Controls
- Industry Leading Duty Cycles
- Self Closing and Locking Gate
- Battery Condition Indicator
- Fold-Down Guard Rails¹
- Slide-Out Battery Trays
- Automatic Traction Control (ATC)
- All Motion Alarm
- 20 Amp Automatic SCR Charger
- Horn
- Hourmeter
- Manual Descent Pull Cable
- Tilt Alarm and Light
- Moveable, Removable Platform Control
- Powder-Coated
- Console with Rail Mounting Bracket
- Nickel Plated Pins
- Lubrication Free Scissor Arm Bushings
- Scissor Maintenance Prop
- Mechanised Pothole Protection
- Machine Tie Downs
- Fork Lift Pockets, Lift from Side and Rear
- Flashing Amber Beacon
- Load Sensing System
- Lifting Lugs

Accessories & Options

- AC Outlet in Platform
- White Noise (squawker) Motion Alarm
- AGM Batteries
- Airline to Platform
- Special Hydraulic Oils
- Accessory Packages:
 - Electrician's Package
 - Plumber's Package
 - JLG® Workstation
 - Panel Carrier Accessory¹
 - Pipe Rack Accessory
 - Plant Maintenance Package

1. Not available on the 1930ES.

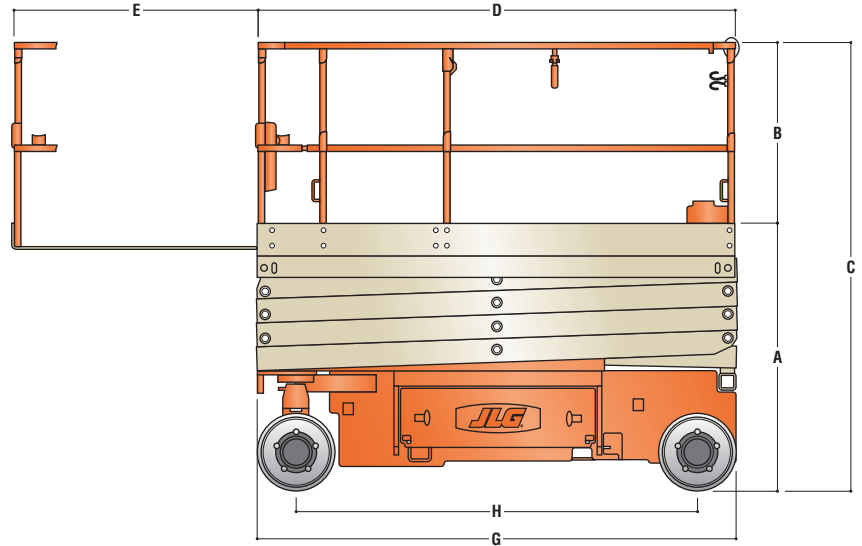
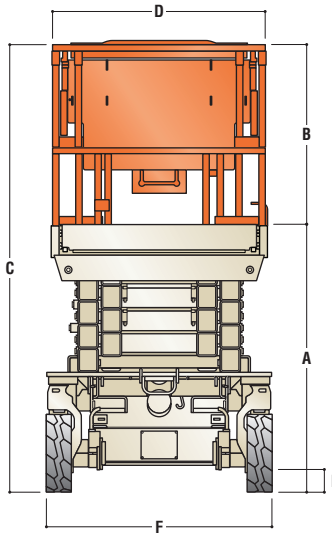
ES SERIES

ELECTRIC SCISSOR LIFTS



Dimensions

All dimensions are approximate.



A. Platform Height—Lowered

1930ES	0.86 m
2032ES	1.10 m
2632ES	1.23 m
2646ES	1.26 m
3246ES	1.26 m

B. Platform Railing Height ES Series

1.14 m

C. Overall Height

1930ES - Fixed rails	1.99 m
1930ES - Fold Down Rails, Up	2.02 m
1930ES - Rails Folded	1.52 m
2032ES - Fold Down Rails, Up	2.20 m
2032ES - Rails Folded	1.87 m
2632ES - Fold Down Rails, Up	2.33 m
2632ES - Rails Folded	1.98 m
2646ES - Fold Down Rails, Up	2.36 m
2646ES - Rails Folded	1.97 m
3246ES - Fold Down Rails, Up	2.36 m
3246ES - Rails Folded	1.97 m

D. Platform Size

1930ES	0.76 x 1.87 m
2032ES/2632ES	0.76 x 2.3 m
2646ES/3246ES	1.12 x 2.5 m

E. Platform Extension

1930ES/2032ES/2632ES	0.9 m
2646ES/3246ES	1.27 m

F. Overall Width

1930ES	76 cm
2032ES/2632ES	81 cm
2646ES/3246ES	1.17 m

G. Overall Length

1930ES	1.87 m
2032ES/2632ES	2.3 m
2646ES/3246ES	2.5 m

H. Wheelbase

1930ES	1.6 m
2032ES/2632ES	1.88 m
2646ES/3246ES	2.09 m

I. Ground Clearance

1930ES/2032ES/2632ES	8.8 cm
2646ES/3246ES	12.7 cm

The JLG "2 & 5" Warranty

JLG Industries, Inc. backs its products with its exclusive "2 & 5" Warranty. We provide coverage on all products for two (2) full years and cover all specified major structural components for five (5) years. Due to continuous product improvements, we reserve the right to make specification and/or equipment changes without prior notification. This machine meets or exceeds AS/NZS 1418.10 2011 as originally manufactured for intended applications.



JLG Industries (Australia)

358 Park Road
Regents Park, NSW 2143
Telephone 02 8718 6300
Fax 02 8718 6377

www.jlg.com.au

An Oshkosh Corporation Company